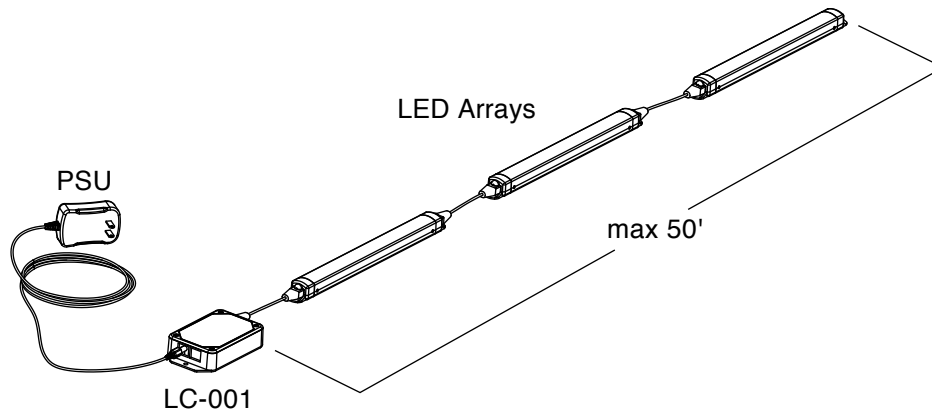




This document provides an overview of important installation information only. Be sure to read the User Manuals for additional instructions and important safety information.

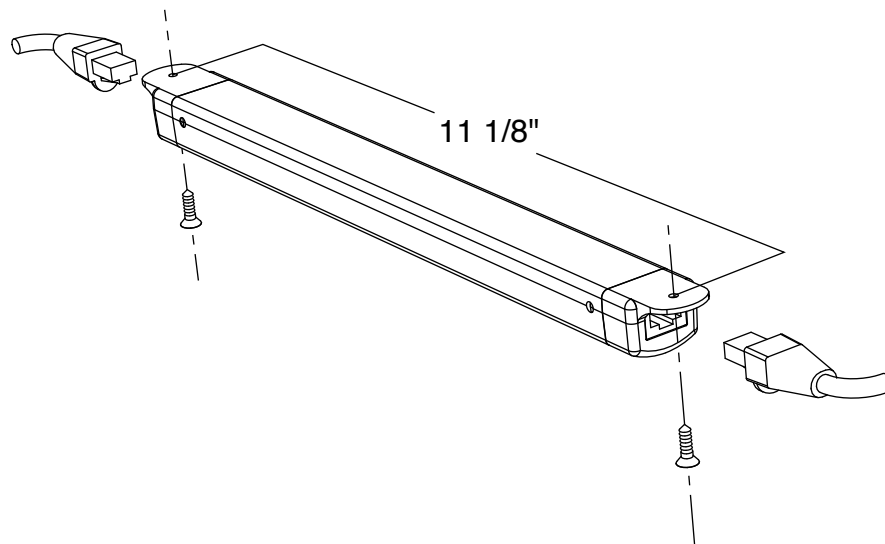
1

Plan the cabling. Cables connect devices sequentially. Maximum total cable length of 50'. Use only straight-through RJ45 cables rated CL2 or better with 24 AWG conductors.



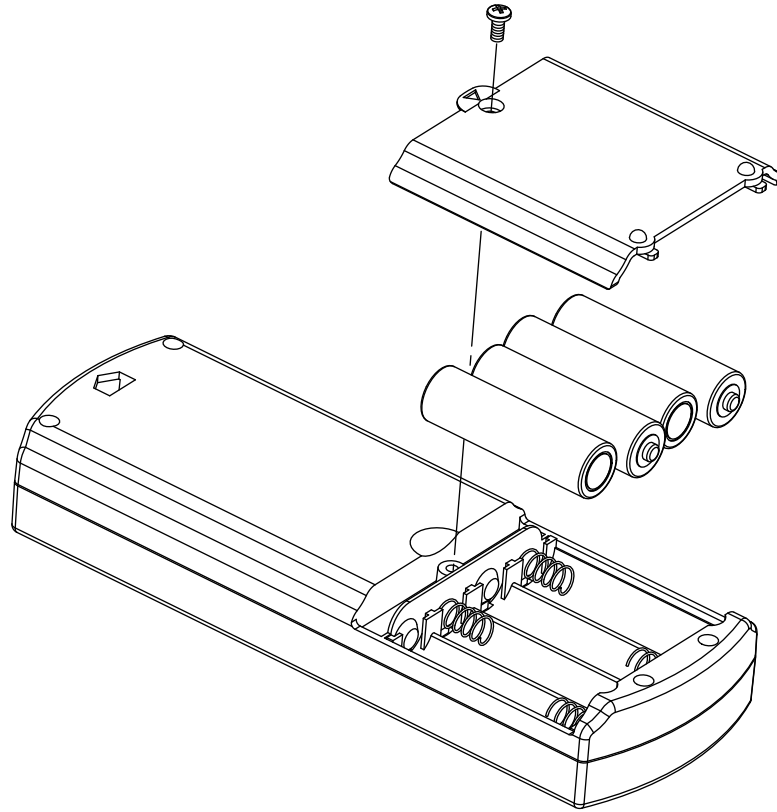
2

Install the fixtures, controller and PSU. Be sure the fixtures are positioned so they illuminate indirectly (they should not be visible). The LC-001 should be configured for RGBW operation and oriented so it can receive radio signals from the remote control.



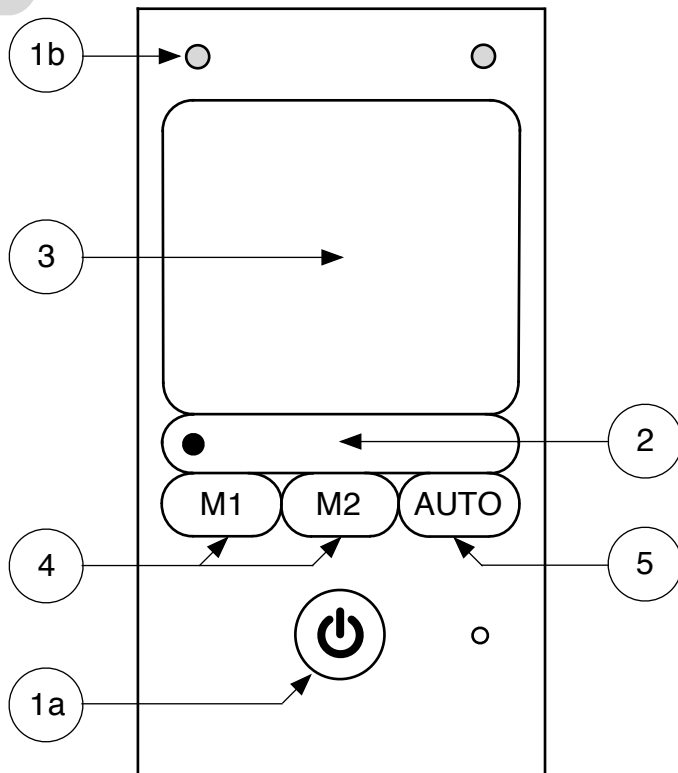
3

Install the batteries in the Remote Control.



4

Test the system by following the numbered steps below with the Remote Control.



Step	Operation
1	Press 1a to enable the Remote and verify 1b is lit.
2	Touch to change brightness of the fixtures.
3	Touch to change the color of the fixtures.
4	Touch M1 briefly to fade the fixtures to off. Touch M2 briefly to fade the fixtures on.
5	Touch AUTO briefly to start the system automatically changing the fixture color.