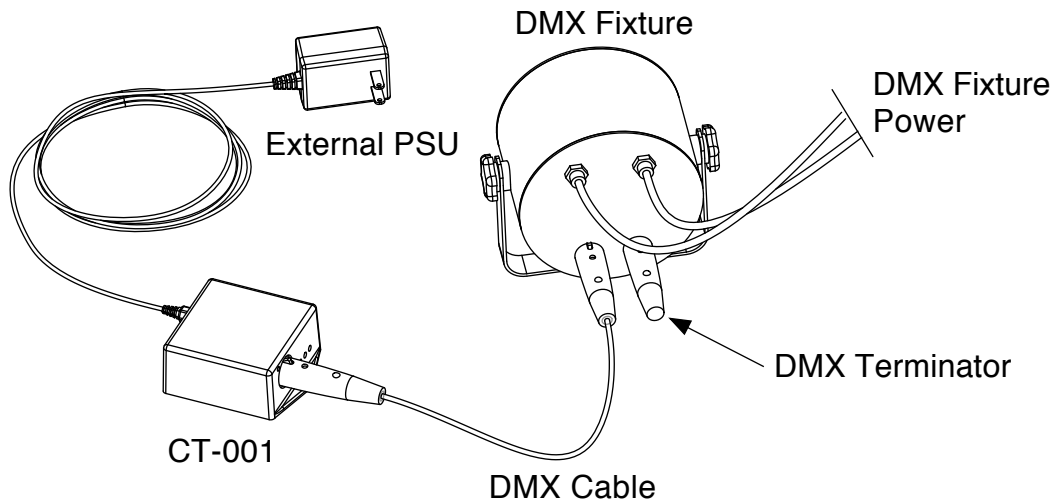




This document provides an overview of important installation information only. Be sure to read the User Manuals for additional instructions and important safety information.

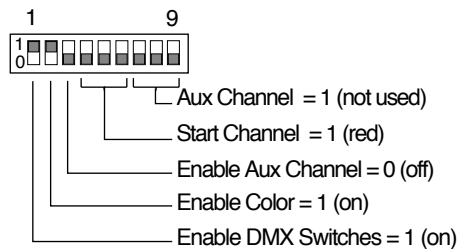
1

Plan the cabling. Use authentic DMX cabling to connect devices serially with a DMX terminator connected to the final device. Maximum total cable length of 1000'. Maximum of 30 identically configured DMX fixtures.



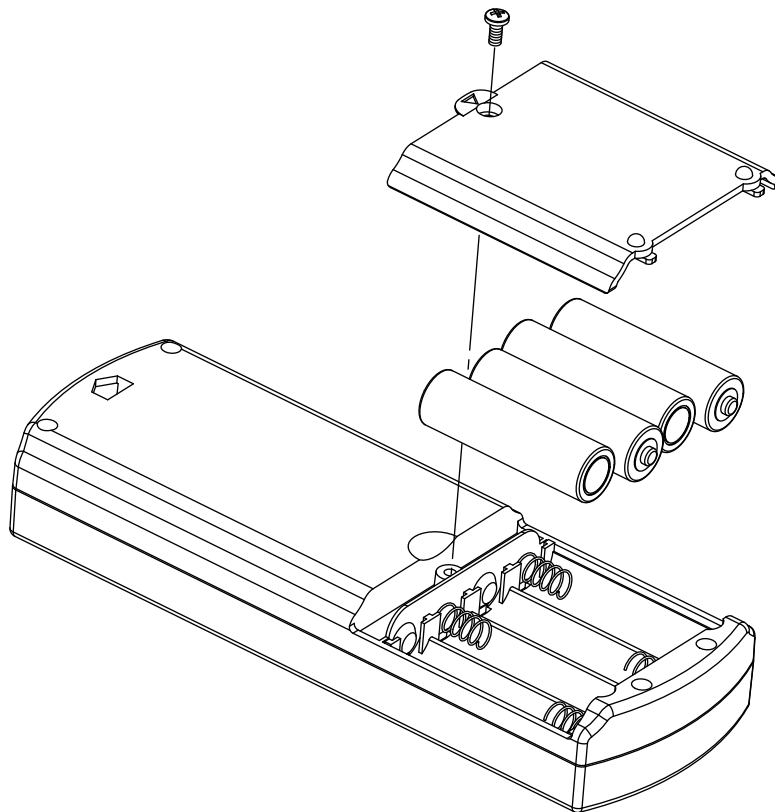
2

Configure the DMX channel assignment. DIP Switches on the CT-001 may be used to configure it for most fixture types. See the CT-001 User Manual for complete configuration instructions. This example is for a simple 3-channel RGB fixture with red = channel 1, green = channel 2 and blue = channel 3.



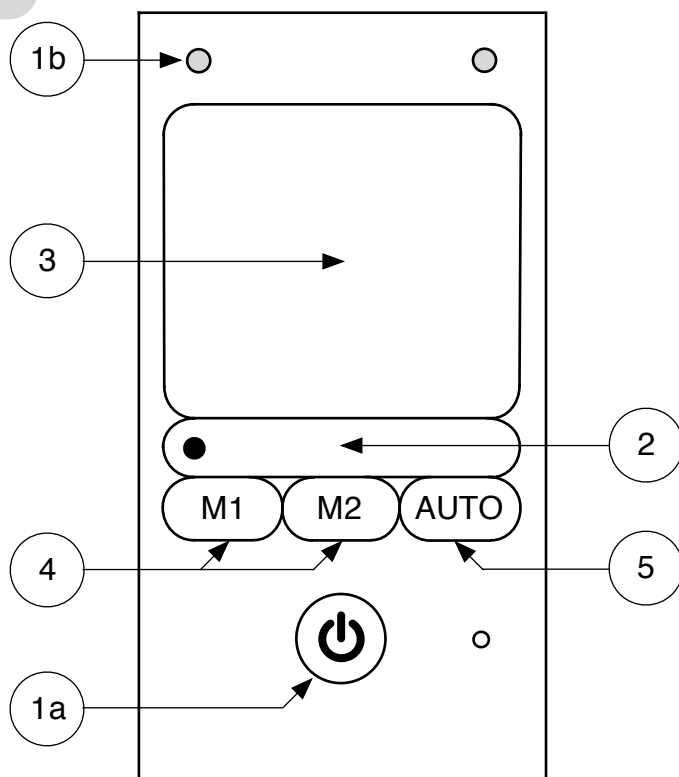
3

Install the batteries in the Remote Control.



4

Test the system by following the numbered steps below with the Remote Control.



Step	Operation
1	Press 1a to enable the Remote and verify 1b is lit.
2	Touch to change brightness of the fixtures.
3	Touch to change the color of the fixtures.
4	Touch M1 briefly to fade the fixtures to off. Touch M2 briefly to fade the fixtures on.
5	Touch AUTO briefly to start the system automatically changing the fixture color.