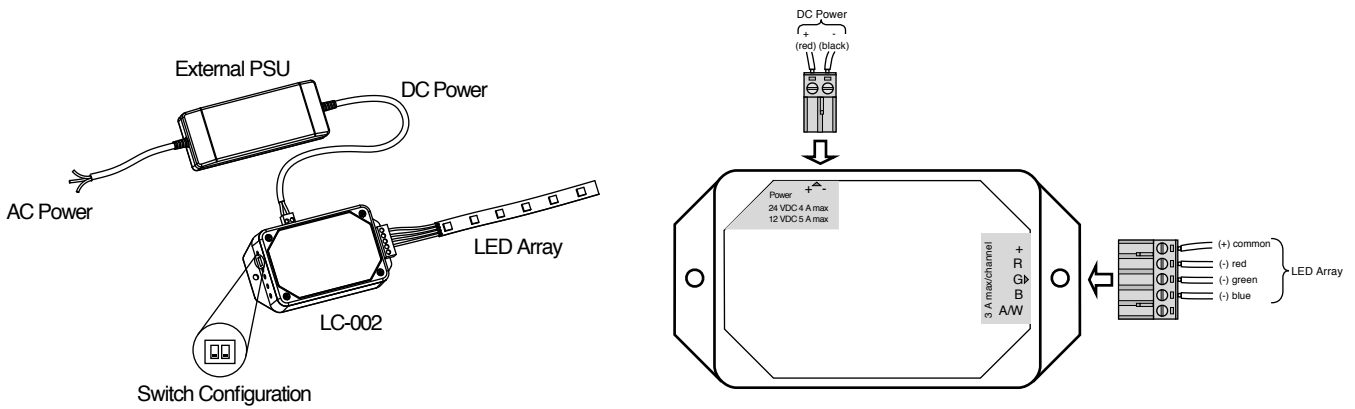




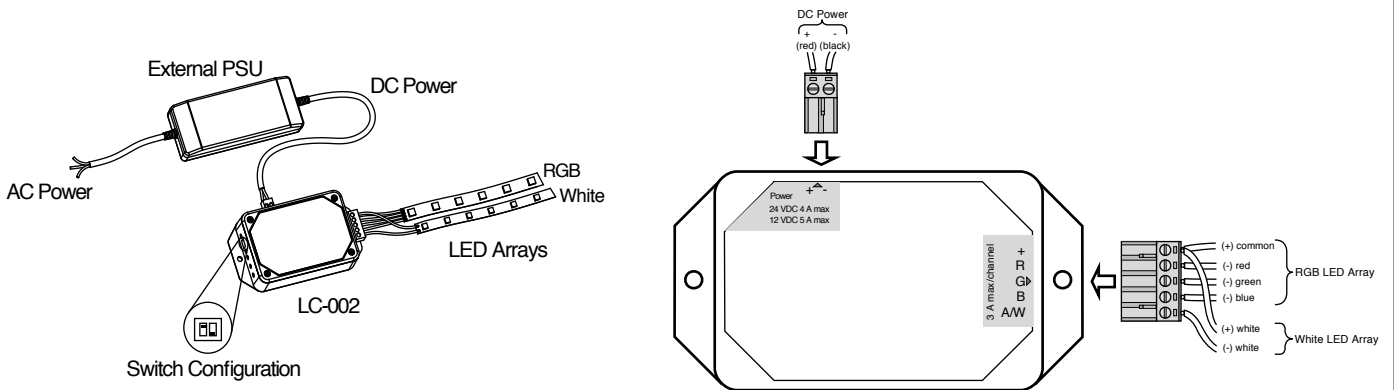
This document provides an overview of important installation information only. Be sure to read the User Manuals for additional instructions and important safety information.

1 Plan the cabling. Use correctly rated cabling to connect the external DC power supply to the LC-002 and the LC-002 to the LED Array(s). Be sure to follow code. Primary power should be switched off at the circuit breaker until installation is complete. Do not enclose the LC-002 in a metal enclosure. Examples are shown below for RGB and RGB + White LED Arrays.

RGB Array

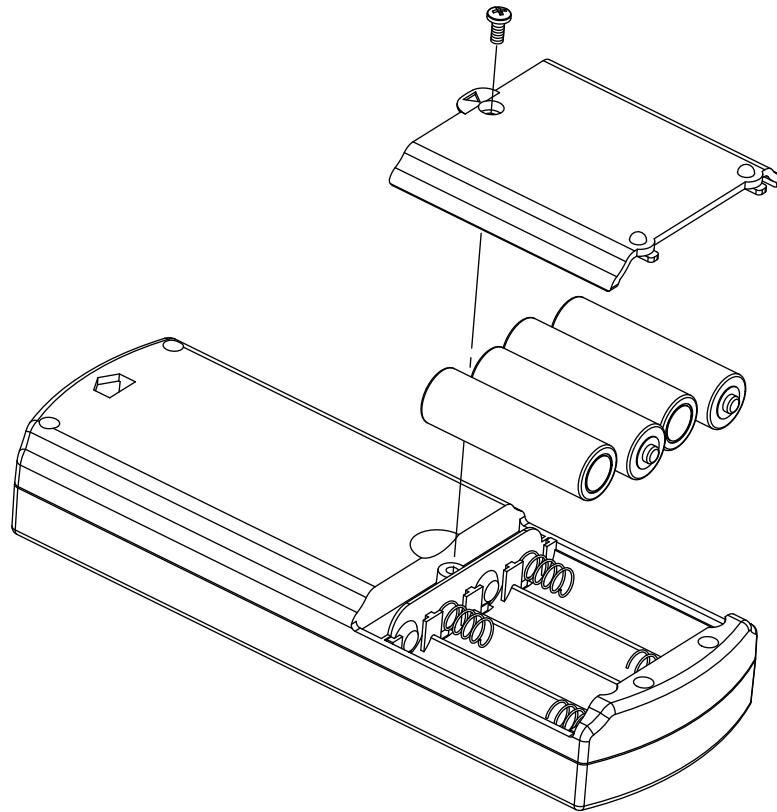


RGB + White Arrays



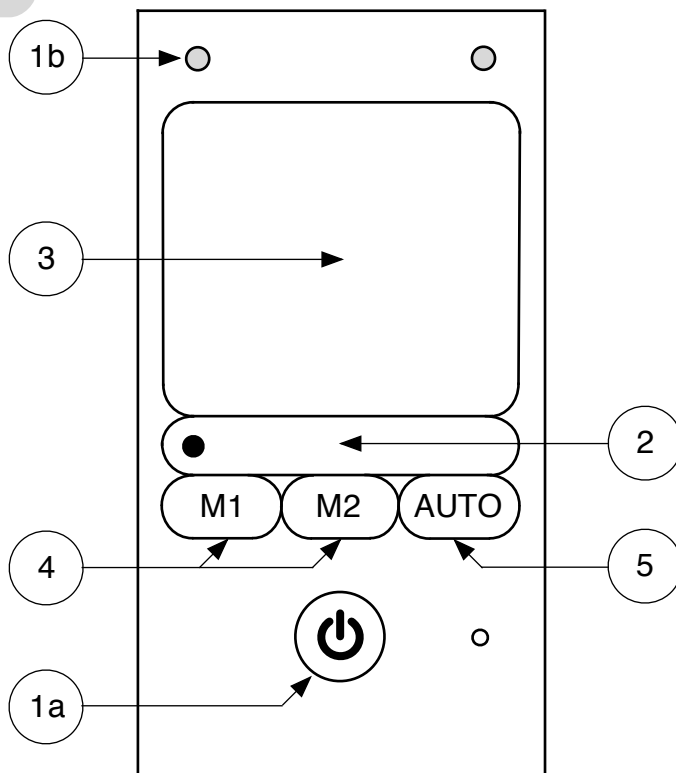
2

Install the batteries in the Remote Control.



3

Test the system by following the numbered steps below with the Remote Control.



Step	Operation
1	Press 1a to enable the Remote and verify 1b is lit.
2	Touch to change brightness of the fixtures.
3	Touch to change the color of the fixtures.
4	Touch M1 briefly to fade the fixtures to off. Touch M2 briefly to fade the fixtures on.
5	Touch AUTO briefly to start the system automatically changing the fixture color.